



TELESCOPIC ARMS



Aluminum profile designed by Viale Sistemi with surface treated and shaft in stainless steel.

High quality universal joint working up to 45 deg. angle for high flexibility connection UV stabilised plastic cover

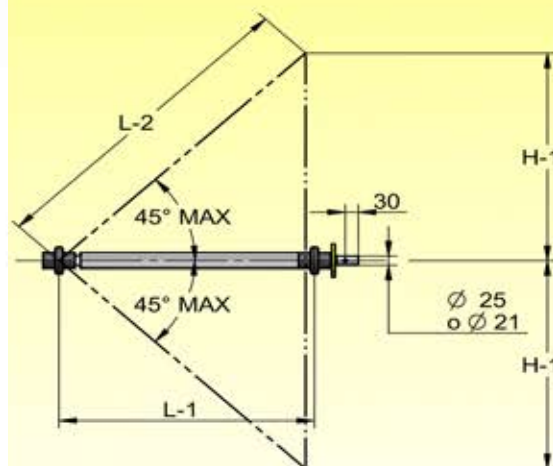
The telescopic range fits any rolling side curtain up to mt 4,4 height.

Connection to gear-motor or manual gear.

Shaft for connection rolling pipe \varnothing 60-33-27



MODELLO	L-1	L-2	(H-1+H-1)-H2
	APERTO	CHIUSO	ALTEZZA MAX
CODE	OPEN	CLOSE	MAX HEIGHT
BT10-3	585,5	800	1088 mm
BT15-3	1086,5	1415	1810 mm
BT25-3	1386,5	1872	2510 mm
BT35-3	1886,5	2625	3650 mm
BT45-3	2186,5	3125	4465 mm



We suggest that the application works with max 75 mt length, and doesn't work with max angle of deg.

**SISTEMA QUALITA' CERTIFICATO
UNI EN ISO 9001 / 2008**

